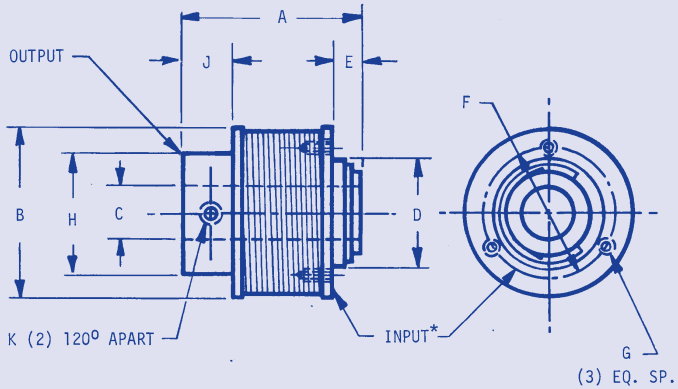


# ONE WAY CLUTCHES

**SHAFT SIZES**  
**1/8 TO 5/8**

## OVER RUNNING SPRING WRAPPED TYPE



Applications:

- Unidirectional stepping.
- Automatic flywheel decoupling.
- Backstopping.

**Material: Stainless steel with oil-impregnated bronze bearings. ORDER BY CATALOG NUMBER**

Cat. No.	* Drive Direction	Max Drive Torque	Reverse or Overrunning Torque	Wt. (oz.)	A	B	C +.001 -.000	D +.000 -.0010	E	F	G	H	J	K		
EVX-01-12 EVX-02-12 EVX-01-18	CW CCW CW	800 oz./ in.	3 oz.-in. Max.	4	1.07	.99	.1248	.3748	.14	.730	#2-56 x .15 Deep	.88	.27	#4-40		
EVX-02-18	CCW						.1873	.562						#6-32		
EVX-01-25 EVX-02-25 EVX-01-31 EVX-02-31	CW CCW CW CCW						.2498									
							.3123									
EVX-01-37 EVX-02-37	CW CCW	2000 oz./ in.	5 oz.-in. Max.	10	1.32	1.56	.3748	1.000	.22	1.250	#4-40 x .18 Deep	1.38	.38	#10-32		
EVX-01-50	CW						.4998									
EVX-02-50 EVX-01-62 EVX-02-62	CCW CW CCW						.6248									

\*When viewed from the input end.  
Please inquire for Nordex assembly charges.